

MACT403 series

AIR UNIT (F.R.L.UNIT)

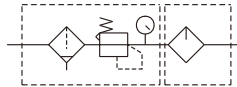


Mindman



Option: MP41

Symbol



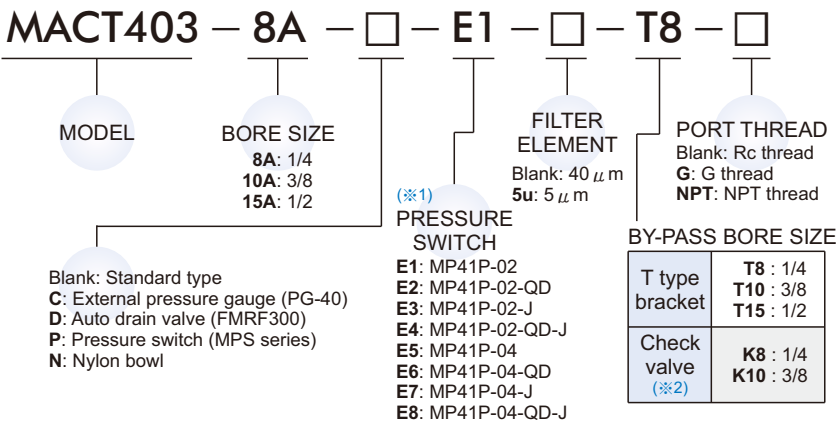
Specification

Model	MACT403		
Components	MAF403, MAR403, MAL403		
Bore No.	8A	10A	15A
Port size	1/4	3/8	1/2
Medium	Air		
Operating pressure range	0.05~1 MPa		
Proof pressure	1.5 MPa		
Regulated pressure range	0.1~0.85 MPa		
Ambient temperature	-5~+60°C (no freezing)		
Filter element	Standard: 40 μm Option: 5 μm		
Lubricating oil capacity	140 c.c		
Min. Flow for oil drip	30 ℓ/min	65 ℓ/min	80 ℓ/min
Recommended lubricating oil	Turbine oil ISO-VG32		
Attachment	Pressure gauge (PG-20), L-type bracket		
Weight	1345 g		

※1. Standard unit contains semi-auto-drain function when operating pressure below 0.05 MPa.

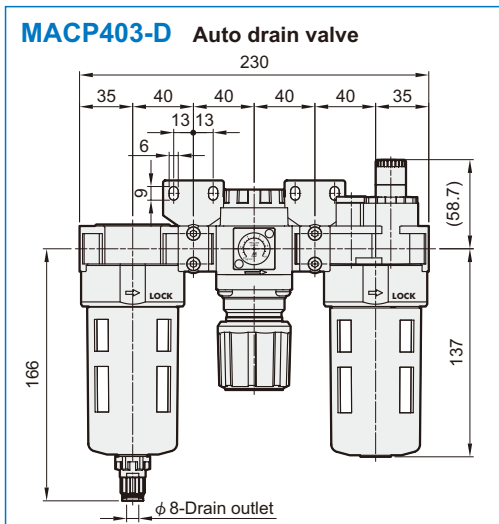
※2. Choose auto-drain FMRF300, the pressure range is 0.15 ~ 1 MPa.

Order example

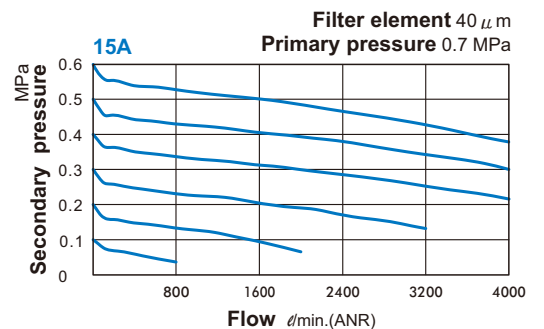
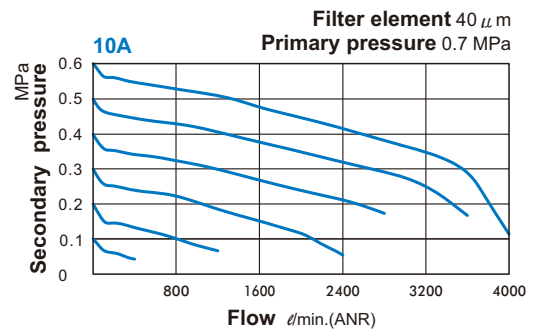
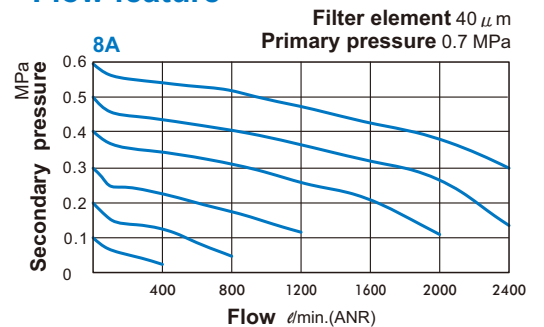


※1. Refer to page 6-11 for the option of digital pressure switch MP41.

※2. Be sure to use above check valves when redirecting the air flow on the inlet side of the lubricator.



Flow feature

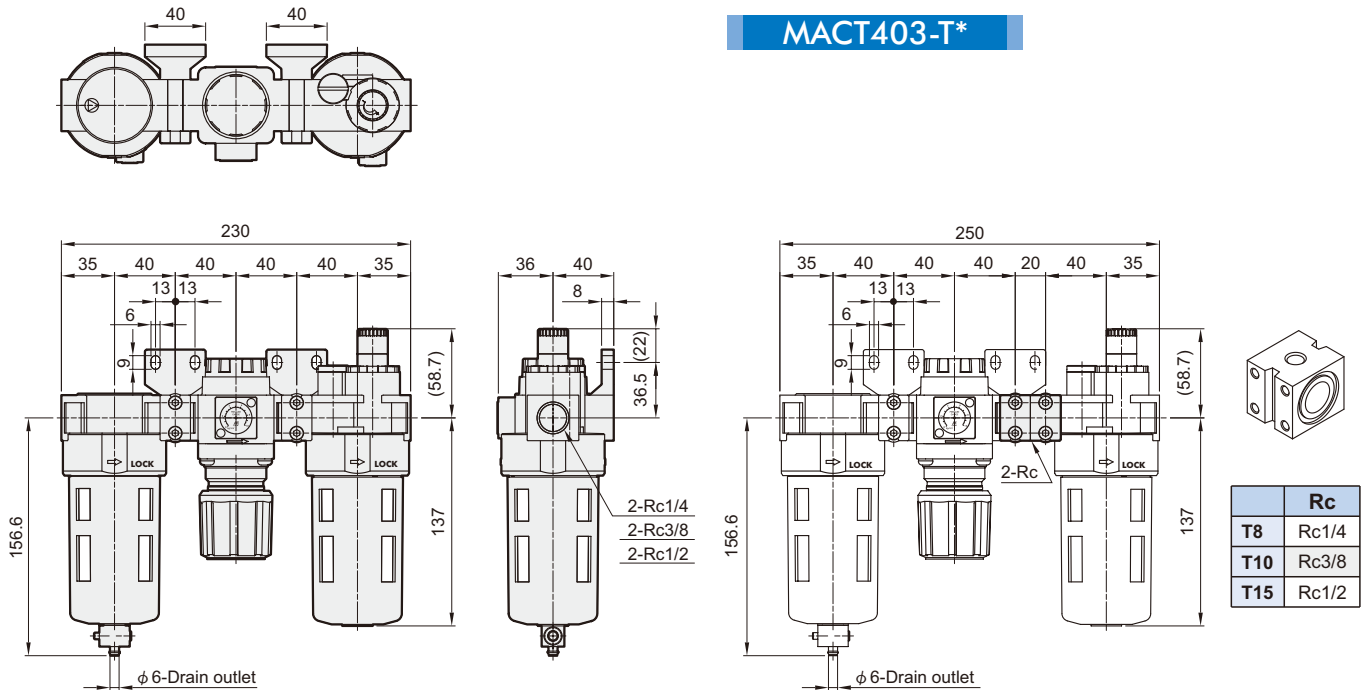


MACT403 Dimensions

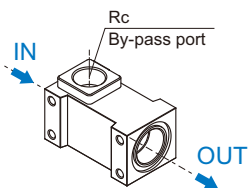
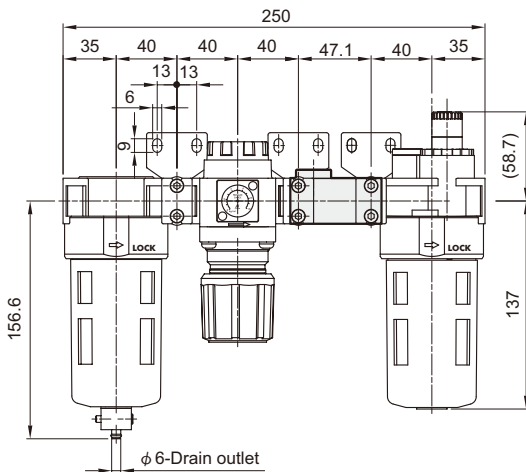
AIR UNIT (F.R.L.UNIT)



MACT403-T*



MACT403-K*



	Rc
K8	Rc1/4
K10	Rc3/8

※ Threads for IN and OUT ports aren't machined.

MACT403-P

MPS Series
pneumatic pressure switch

