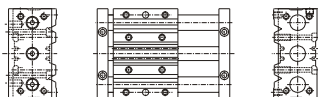




Features:

- The user may use as plate slide type or body slide type according to his requirement.
- The air cylinder and the guide are designed as compact makes the air cylinder working more smoothly and showing the characteristics of its high-strength and high-stiffness.
- The recessed groove for sensor switch keeps space saving and interference is avoided.
- The body and plate are reserved many holes and threads for mounting. It is suitable for various mounting requirement.

Specification:

Model	MCGD	
Model (Stop type view)		
Acting type	Double acting	
Tube I.D.(mm)	12,16	20,25,32
Port size Rc(PT)	M5×0.8	PT 1/8
Medium	Air	
Operating pressure range	1~9.9 kgf/cm ²	
Proof pressure	15 kgf/cm ²	
Ambient temperature	-5~+60℃ (No freezing)	
Lubrication	Not required	
Cushion	With rubber cushion pad	
Sensor switch	RCE, RCE1	

Order example:

MCGD - 03 - 12 - 50 - BSP

MODEL

TUBE I.D.

STROKE

TYPE OF BEARING

Code	Type of bearing
03	Slide bearing
23	Linear bush bearing

PORT THREAD
Blank: PT thread
BSP: BSP thread
NPT: NPT thread

Installation of sensor switch

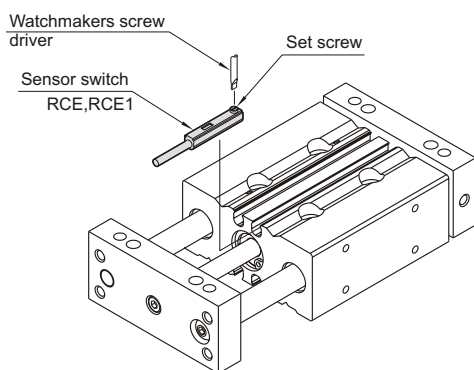
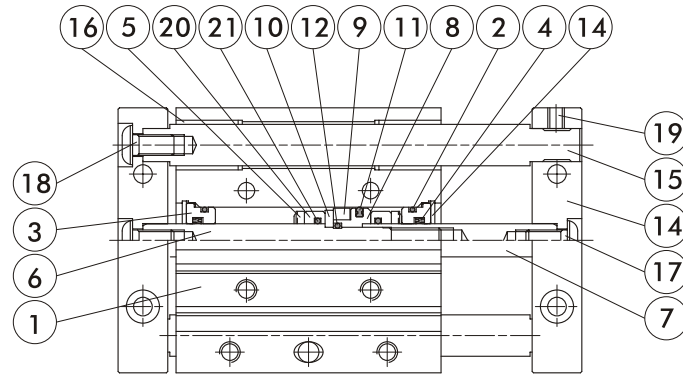


Table for standard stroke

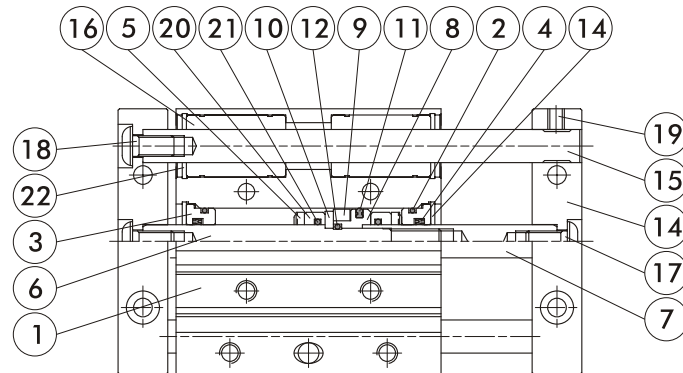
Series variety	Bearing type	Tube I.D.	Stroke (mm)																		
			30	50	75	100	125	150	175	200	250	300									
MCGD 03	Slide bearing	φ 12	■																		
		φ 16	■																		
		φ 20	■																		
		φ 25	■																		
		φ 32	■																		
MCGD 23	Linear bush bearing	φ 12	■																		
		φ 16	■																		
		φ 20	■																		
		φ 25	■																		
		φ 32	■																		

- Stroke out of specification is also available.
- Please consult us if stroke out of specification.

MCGD-03



MCGD-23

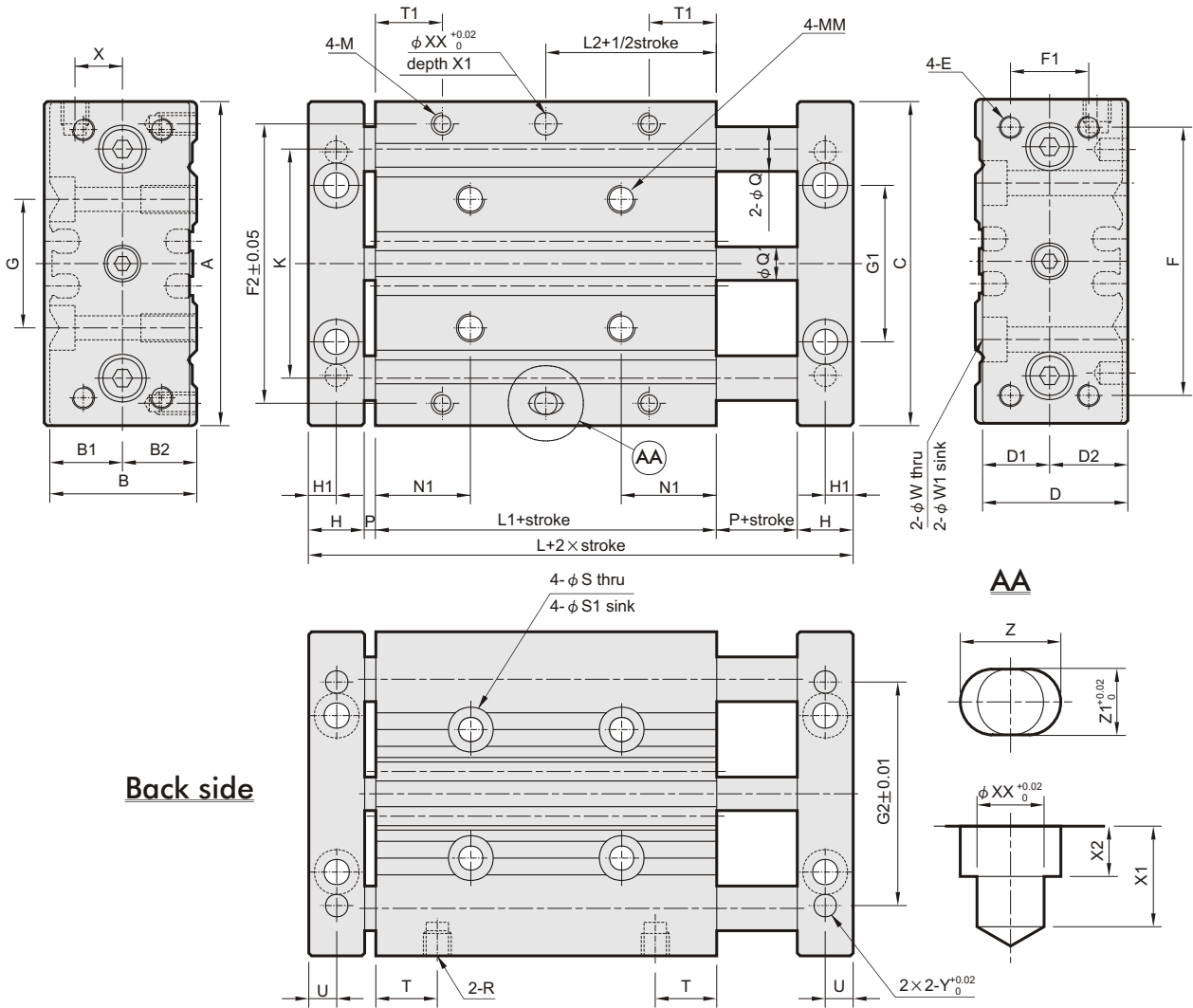


Material

No.	Part name	Material	Note
1	Body	Aluminum alloy	
2	Cover ring	NBR	
3	Rod cover	Aluminum alloy	
4	Rod packing	NBR	
5	Cushion	NBR	
6	Piston rod #1	Carbon steel	
7	Piston rod #2	Carbon steel	
8	Piston	Aluminum alloy	
9	Magnet ring	Magnet material	
10	Magnet ring holder	Aluminum alloy	
11	Piston packing	NBR	
12	Piston gasket	NBR	

No.	Part name	Material	Note
13	Snap ring	Carbon tool steel	
14	Plate	Aluminum alloy	
15	Guide rod	Carbon steel	for 03 type
		Bearing steel	for 23 type
16	Bush	Copper	for 03 type
	Slide bush	—	for 23 type
17	Screw for piston rod	Carbon steel	
18	Screw for guide rod	Carbon steel	
19	Set screw	Carbon steel	
20	Spacer	Aluminum alloy	
21	O-ring	NBR	
22	Snap ring	Spring steel	for 23 type

MCGD-03/23



Code Tube I.D.	A	B	B1	B2	C	D	D1	D2	E	F	F1	F2	G	G1	G2	H	H1	K	L	L1	L2	M	MM	N1	Q		Q1	P	R
																								MCGD-03	MCGD-23				
12	58	26	13	13	58	26	12	14	M4	48	14	50	23	28	40	10	5	41.5	55	31	15.5	M4×7dp	M5×10dp	17	φ8	φ6	φ6	2	M5
16	64	30	15	15	64	30	14	16	M5	52	16	54	24	32	50	12	6	46	62	34	17	M5×7dp	M5×10dp	17	φ10	φ8	φ8	2	M5
20	85	36	19	17	85	36	16	20	M5	60	18	64	28	37	70	12	6	55	66	38	19	M5×7dp	M6×12dp	20.5	φ12	φ10	φ10	2	PT 1/8
25	96	42	21	21	96	42	20	22	M6	70	26	76	34	44	84	12	6	65	67	39	19.5	M6×9dp	M6×12dp	19.5	φ16	φ13	φ12	2	PT 1/8
32	116	51	25	26	116	51	24	27	M8	96	30	100	42	56	76	14	7	80	68	36	18	M8×11dp	M8×16dp	20	φ20	φ16	φ16	2	PT 1/8

Code Tube I.D.	S	S1	T	T1	U	W	W1	X	XX	X1	X2	Y	Z	Z1
12	φ4.3	φ8×4.5dp	11	12	5	φ4.5	φ8×4.5dp	8.5	φ4	6	3	φ4×5dp	6	4
16	φ4.3	φ8×4.5dp	11	13	6	φ4.5	φ8×4.5dp	10	φ5	6	3	φ5×5dp	7	5
20	φ5.2	φ9.5×5.5dp	13.5	14	6	φ5.5	φ9.5×5.5dp	11.5	φ6	8	4	φ6×8dp	8	6
25	φ5.2	φ9.5×5.5dp	11	12	6	φ5.5	φ9.5×5.5dp	13.5	φ6	8	4	φ6×8dp	8	6
32	φ6.8	φ11.5×6.5dp	11	16.5	7	φ6.6	φ11×6.5dp	16	φ8	12	6	φ8×12dp	10	8