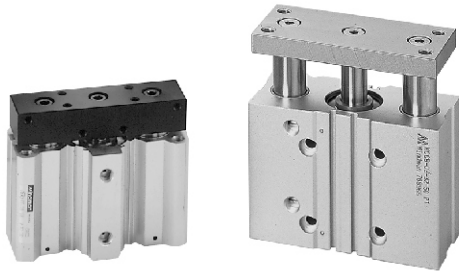


# MCG\* series Stop / Lift / Push

## TWIN-GUIDE CYLINDER

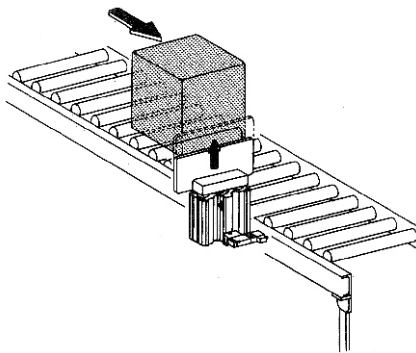


### Several uses

- Stopper cylinder
- Lift cylinder
- Pusher cylinder

### S-function

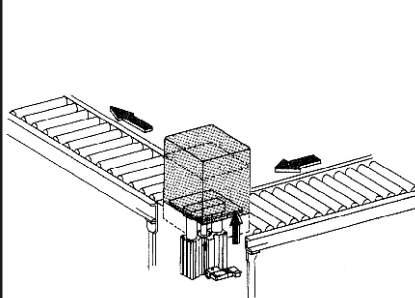
#### Stopper cylinder



Tough type of stopping a large-load work carrier at a fixed point, and for the straggle of a number of work carriers, etc.

### L-function

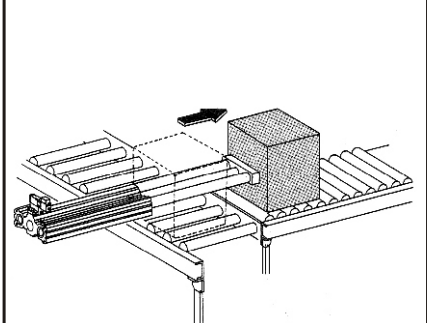
#### Lift cylinder



Special design which stands the large one-sided load. Lifts the work carrier at a fixed point not changing the posture.

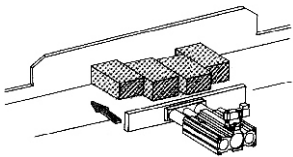
### P-function

#### Pusher cylinder



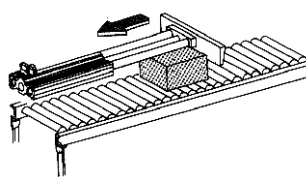
Long strokes available, the highly precise pushing work transfers and places a work carrier and changes the direction.

### Multi purpose



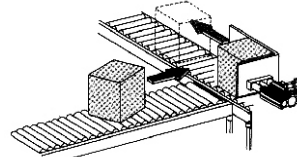
#### Arranges in line

Arranges the work carriers in line which have the same side face and which have been carried on the free flow line.



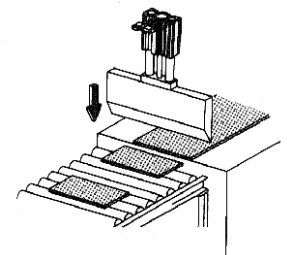
#### Draws in

Draws in the work carrier for the length of the stroke and slide it on the conveyor line.



#### Arranges the posture

Arranges the posture of a work carrier and push it out.



#### Cuts sheets

Can be used as a power source of sheets shearing machine.