

MCHG series

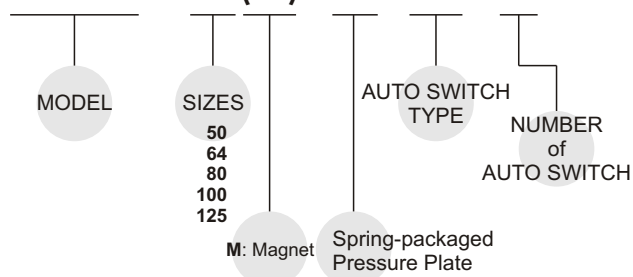


LOWER HEIGHT of THREE JAW GRIPPERS



Order example:

MCHG – 50(M) – P – RH × 1



Features:

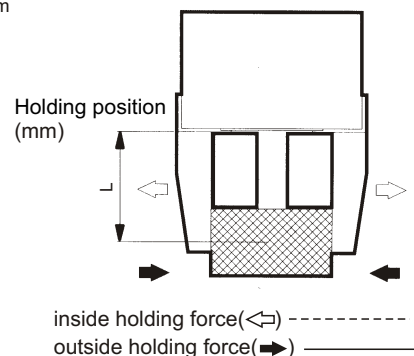
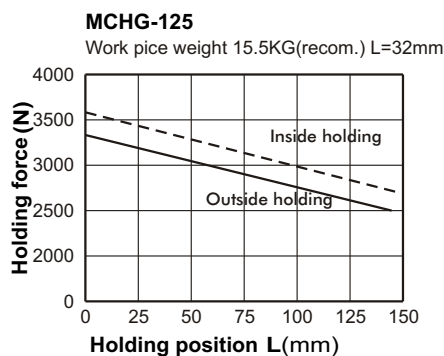
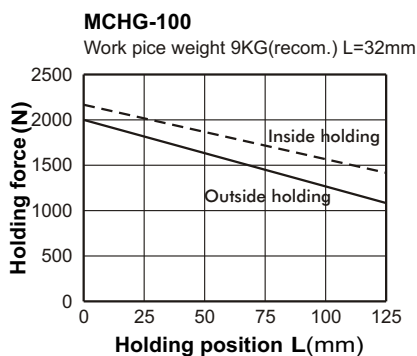
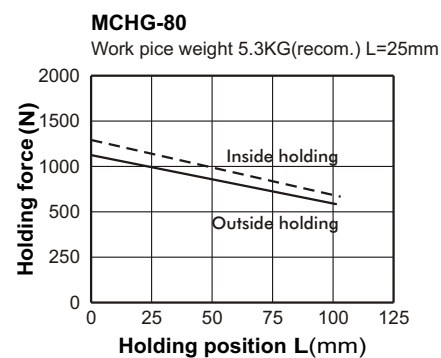
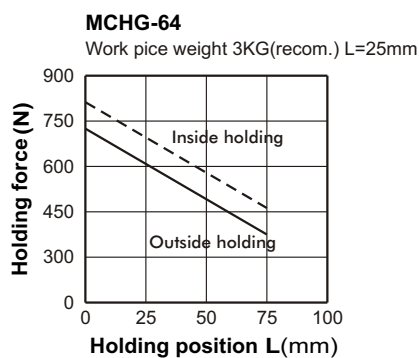
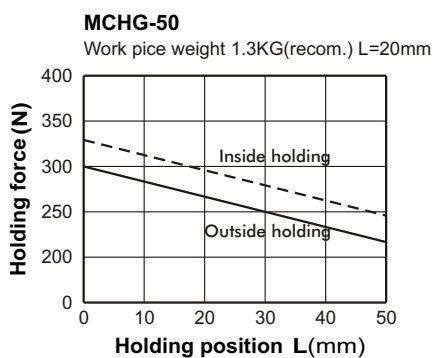
- Compact body reliable design high clamping force.
- The housing: high-tensile aluminum and special hard-coated.
- Auto switch with indicator lamp and spring-packaged pressure plate are optionally available.
- The 3-jaw grippers is designed in lower height with long stroke.

Specification:

| Model | MCHG-50 | MCHG-64 | MCHG-80 | MCHG-100 | MCHG-125 |
|---------------------|-----------------------------|---------|---------|----------|----------|
| Acting type | Double acting | | | | |
| Bore | 32 | 40 | 58 | 77 | 96 |
| Stroke | 8 | 12 | 16 | 20 | 26 |
| Fluid | Air 3~7 kgf/cm ² | | | | |
| Ambient temperature | -5~+60°C (No freezing) | | | | |
| Repeatability | 0.05 | | | | |
| Lubrication | Not required | | | | |
| Weight(kg) | 0.23 | 0.41 | 0.8 | 1.4 | 2.4 |

- Maintenance: Re-Lubrication after appr. 1.5 million cycles

Gripping force in relation to the holding position "L" at 6kgf/cm²

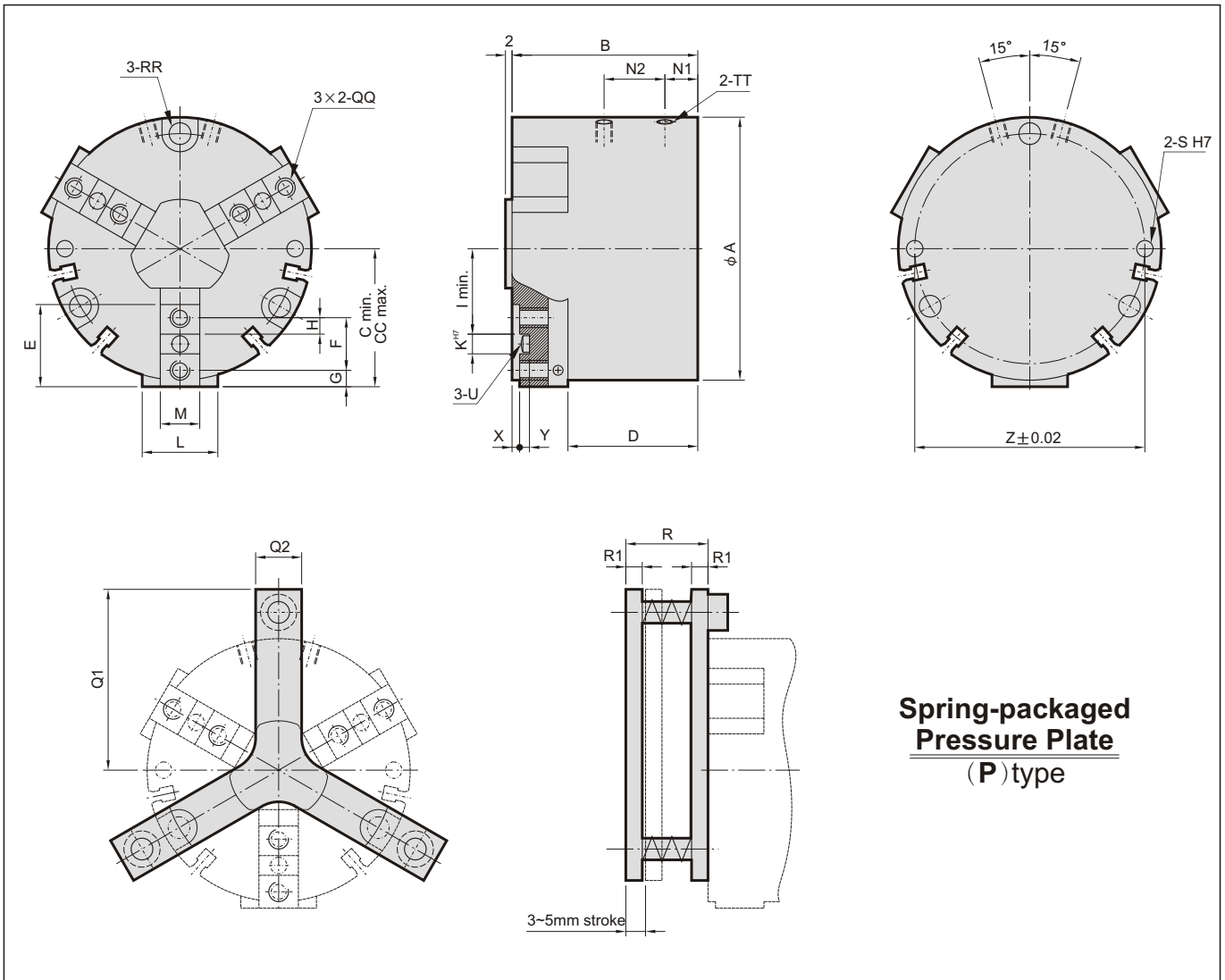


- With reference to the holding force, under the condition must be considered.
- Condition: friction coefficient, great acceleration impact is expected during work pice rotate.
- It recommend: select a type of arithmetic holding force that can produce 10 to 20 times for work pice weight.

MCHG Dimensions $\phi 32 \sim \phi 96$



LOWER HEIGHT of THREE JAW GRIPPERS



**Spring-packaged
Pressure Plate
(P) type**

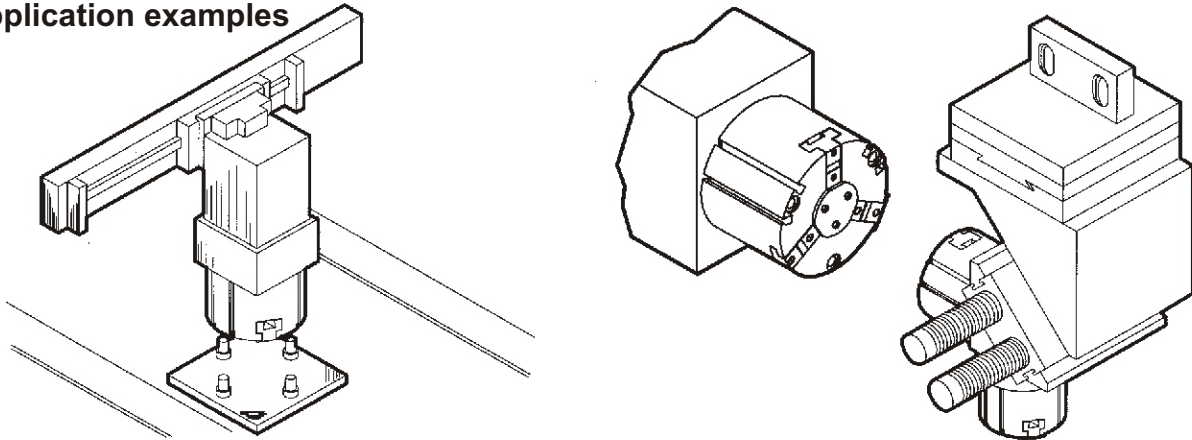
| Code Model | A | B | C | CC | D | E | F | G | H | I | K | L | M | N1 | N2 | Q1 | Q2 | R | R1 |
|-----------------|-----|------|------|------|------|----|----|-----|-----|----|---|----|------|------|------|----|----|----|----|
| MCHG-50 | 50 | 39 | 26.5 | 30.5 | 27 | 18 | 12 | 3 | 3.5 | 15 | 5 | 14 | 8 | 9.5 | 13.5 | 38 | 12 | 25 | 5 |
| MCHG-64 | 64 | 47.5 | 32 | 38 | 32 | 20 | 13 | 4 | 4 | 19 | 5 | 18 | 10.2 | 10.5 | 11.5 | 44 | 14 | 25 | 5 |
| MCHG-80 | 80 | 56.5 | 42 | 50 | 39.5 | 25 | 16 | 5 | 5 | 26 | 6 | 23 | 12.2 | 10 | 18.5 | 55 | 14 | 25 | 5 |
| MCHG-100 | 100 | 65 | 52 | 62 | 45.5 | 32 | 20 | 6 | 6 | 32 | 8 | 27 | 14.2 | 12 | 19 | 70 | 20 | 25 | 6 |
| MCHG-125 | 125 | 76 | 65.5 | 78.5 | 52 | 40 | 24 | 8.5 | 8 | 41 | 8 | 30 | 16.2 | 14 | 25.5 | 85 | 20 | 25 | 6 |

| Code Model | RR | QQ | S | TT | U | X | Y | Z |
|-----------------|---|-------------------------------|-----------------------|--------|----------|---|-----|-----|
| MCHG-50 | $\phi 3.4$ thru, 6C/B \times 5dp P.C.D44 | M3 \times 0.5 \times 7dp | $\phi 3 \times 8$ dp | M5 | $\phi 4$ | - | 2 | 44 |
| MCHG-64 | $\phi 5.5$ thru, 10C/B \times 6dp P.C.D56 | M4 \times 0.7 \times 8dp | $\phi 4 \times 10$ dp | M5 | $\phi 4$ | 2 | 2.5 | 56 |
| MCHG-80 | $\phi 6.6$ thru, 11C/B \times 8dp P.C.D70 | M5 \times 0.8 \times 9dp | $\phi 5 \times 10$ dp | M5 | $\phi 5$ | 2 | 3 | 70 |
| MCHG-100 | $\phi 6.6$ thru, 11C/B \times 8dp P.C.D90 | M6 \times 1.0 \times 12dp | $\phi 5 \times 12$ dp | PT 1/8 | $\phi 6$ | 3 | 3 | 90 |
| MCHG-125 | $\phi 9$ thru, 15C/B \times 10dp P.C.D112 | M6 \times 1.0 \times 12dp | $\phi 6 \times 16$ dp | PT 1/8 | $\phi 6$ | 5 | 3.5 | 112 |

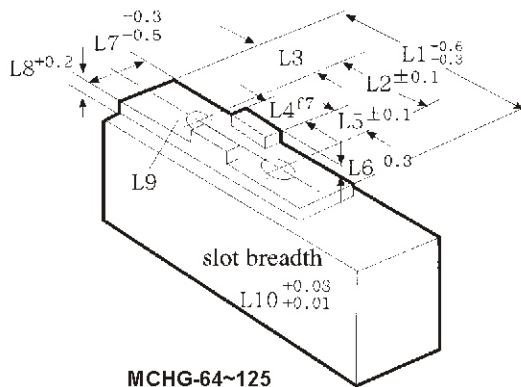


LOWER HEIGHT of THREE JAW GRIPPERS

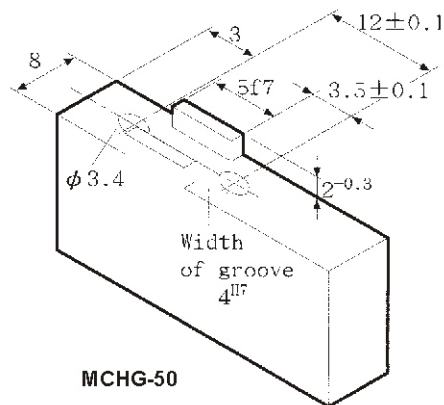
Application examples



Finger blanks



MCHG-64~125



MCHG-50

| Code Model | L1 | L2 | L3 | L4 | L5 | L6 | L7 | L8 | L9 | L10 |
|------------|----|----|-----|----|----|-----|------|-----|-------|-----|
| MCHG-64 | 20 | 13 | 4 | 5 | 4 | 2.5 | 10.2 | 4.5 | φ 4.5 | 4 |
| MCHG-80 | 25 | 16 | 5 | 6 | 5 | 3 | 12.2 | 5.5 | φ 5.5 | 5 |
| MCHG-100 | 32 | 20 | 6 | 8 | 6 | 3 | 14.2 | 5.5 | φ 6.6 | 6 |
| MCHG-125 | 40 | 24 | 8.5 | 8 | 8 | 3.5 | 16.2 | 5.5 | φ 6.6 | 6 |

Auto switch setting position

