



### Features:

#### ■ Non-lubrication:

Designs of oil-filled alloy, special housing and bushing provide the needed self-lubrication of piston rod.

#### ■ High quality-long service life:

Hard anodized aluminum cylinder tubes resist corrosion and abrasion.

### Specification:

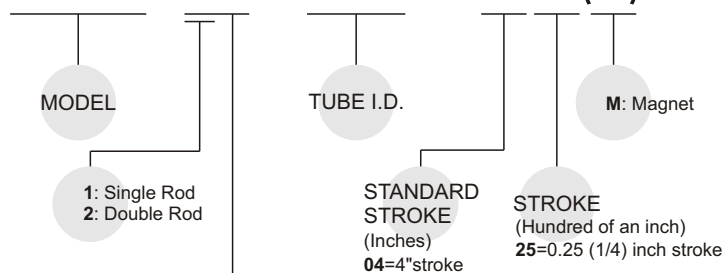
Model	MCQN				
Tube I.D. (inch)	1 1/2"	2"	2 1/2"	3 1/4"	4"
Tube I.D. (mm)	40	50	63	80	100
Port size	NPTF 3/8		NPTF 1/2		
Medium	Air				
Max. operating pressure	9.9 kgf/cm <sup>2</sup>				
Min. operating pressure	0.5 kgf/cm <sup>2</sup>				
Proof pressure	15 kgf/cm <sup>2</sup>				
Ambient temperature	-5~+60°C (No freezing)				
Sensor switch	RCA				
Sensor switch holder	HV1	HV2	HV3		

### Table for standard stroke

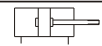
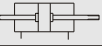
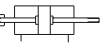
Tube I.D.(inch)	Stroke (inch)
φ 1 1/2"	1, 2, 3, 4, 5, 6, 8, 10, 12, 14, 16, 18, 20
φ 2", 2 1/2"	1, 2, 3, 4, 5, 6, 8, 10, 12, 14, 16, 18, 20, 24
φ 3 1/4", 4"	1, 2, 3, 4, 5, 6, 8, 10, 12, 14, 16, 18, 20, 24

### Order example:

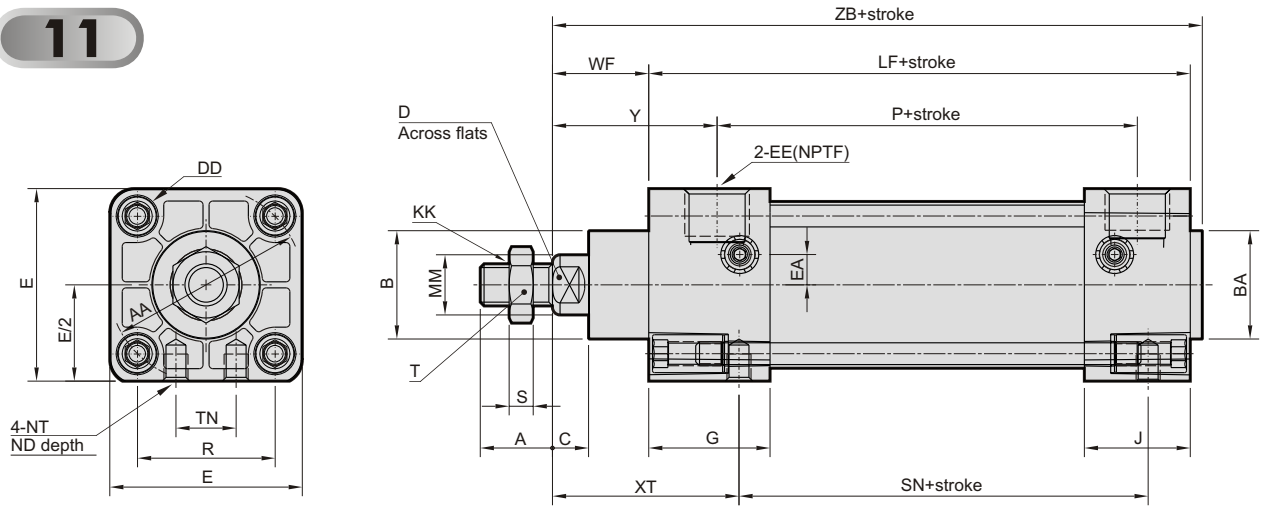
MCQN-11-1 1/2-0425(M)



STYLE:

Code	Symbol	Description
1 1		Double acting / Male thread
2 1		Dual rod / Male thread
2 7		Dual rod / Adjustable male thread (Please mark "adjustable distance(in)" at order list)

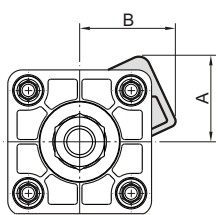
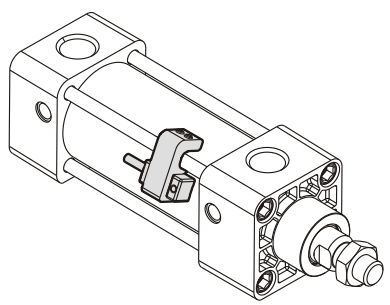
### 11



Code Tube I.D.	A	AA	B	BA	C	D	DD	E	EA	EE	G	J	KK	LF	MM	ND	NT	P	R	S	SN
1 1/2"	3/4	2.02	1 1/8	1 1/8	3/8	9/16	1/4-28	2	0.32	3/8	1.26	1.01	7/16-20	3 5/8	5/8	9/32	1/4-20	2.36	1.43	0.26	2 1/4
2"	3/4	2.6	1 1/8	1 1/8	3/8	9/16	5/16-24	2 1/2	0.43	3/8	1.26	1.06	7/16-20	3 5/8	5/8	7/16	5/16-18	2.4	1.84	0.26	2 1/4
2 1/2"	3/4	3.1	1 1/8	1 1/8	3/8	9/16	5/16-24	3	0.47	3/8	1.3	1.06	7/16-20	3 3/4	5/8	19/32	3/8-16	2.48	2.19	0.26	2 3/8
3 1/4"	1 1/8	3.9	1 1/2	1 1/2	1/2	7/8	3/8-24	3 3/4	0	1/2	1.57	1.18	3/4-16	4 1/4	1	5/8	1/2-13	2.72	2.76	0.42	2 5/8
4"	1 1/8	4.7	1 1/2	1 1/2	1/2	7/8	3/8-24	4 1/2	0	1/2	1.57	1.18	3/4-16	4 1/4	1	5/8	1/2-13	2.72	3.32	0.42	2 5/8

Code Tube I.D.	T	TN	WF	XT	Y	ZB
1 1/2"	0.69	0.625	1	1 15/16	1.71	4 3/4
2"	0.69	0.875	1	1 15/16	1.71	4 3/4
2 1/2"	0.69	1.25	1	1 15/16	1.75	4 7/8
3 1/4"	1.12	1.5	1 3/8	2 7/16	2.34	5 53/64
4"	1.12	2.0625	1 3/8	2 7/16	2.34	5 53/64

### Installation of sensor switch



Code Tube I.D.	Sensor switch	Hold	A	B	C	D	E
1 1/2"	RCA	HV1	1.10	1.47	1.02	0.51	M4 × 10L
2"	RCA	HV2	1.49	1.68	1.02	0.51	M4 × 10L
2 1/2"	RCA	HV2	1.66	1.86	1.02	0.51	M4 × 10L
3 1/4"	RCA	HV3	1.87	2.13	1.02	0.51	M4 × 10L
4"	RCA	HV3	2.15	2.42	1.02	0.51	M4 × 10L

