

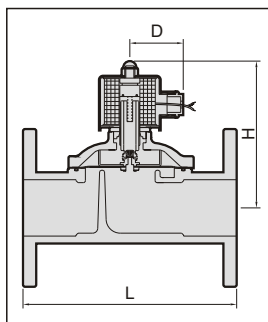
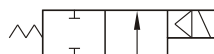
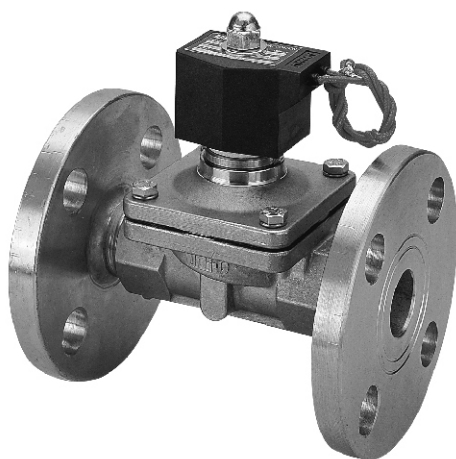
MSUW-F series Normally closed

SOLENOID VALVE



2-WAY normally closed / normally open solenoid valve.

Available fluid: Water, air & light oil.



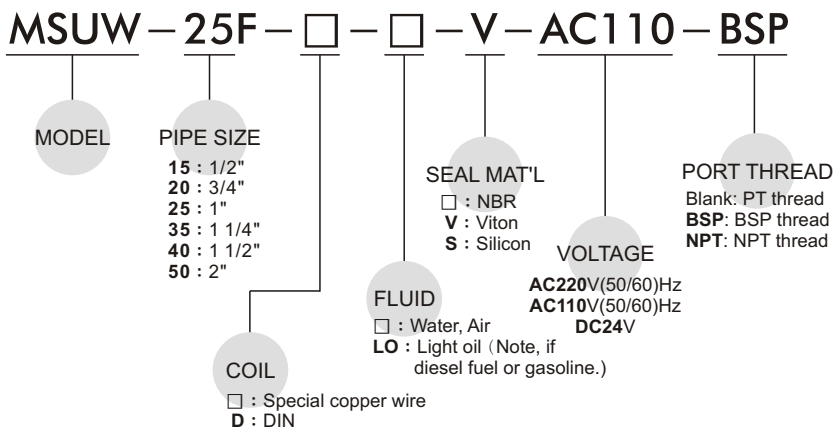
Specification :

- MSUW-F series is direct multiplex-drive, connected to diaphragm, normal close / normal open.
- Valve body made of investment casting S/S 316.
- Can be operated directly without pressure.
- Other voltage of AC/DC available when required.
- Flange end: JIS 10K, ANSI 150LB or PN-16.
- Viton(130°C), Silicon(130°C), NBR(80°C.).
- AC Voltage tolerance: ±10%.
- DC Voltage tolerance: ±1%.

Material:

Parts name	Material
Body	CF8M
Coil	Special copper wire (H)
Tube	Stainless steel
Spring	Stainless steel
Core	Stainless steel
Plug	NBR, Viton, Silicon
Diaphragm	NBR, Viton, Silicon

Order example:



Caution:

- Pipes must be washed neat and clean before fitted.
- A Y-STRAINER has to be installed in the front of solenoid valve, that is best for long life.

Not for fluid of:

- Liquid when heat, solid when cool.
- Corrosive fluid.
- Viscosity over 20 cst.

Model	DIN	Pipe size	Cv	Orifice (mm)	Fluid temp	Max. operating pressure diff. kgf/cm ²			Dimensions(mm)			Weight (kg)
						Water	Air	Light oil	L	H	D	
MSUW-15F	●	PT 1/2"	4.5	15	-5~+80°C	0~5	0~7	0~5	110	100	36	1.9
MSUW-20F	●	PT 3/4"	8.6	20	-5~+80°C	0~5	0~7	0~5	120	102	36	2.4
MSUW-25F	●	PT 1"	12	25	-5~+80°C	0~5	0~7	0~5	150	106	36	3.6
MSUW-35F		PT 1 1/4"	24	35	-5~+80°C	0~5	0~7	0~5	170	140	58	6.1
MSUW-40F		PT 1 1/2"	28	40	-5~+80°C	0~5	0~7	0~5	170	140	58	6.4
MSUW-50F		PT 2"	48	50	-5~+80°C	0~5	0~7	0~5	210	170	58	9.3

※ The pressure ratings indicated above are based on AC110V/220V. The maximum pressure may vary in case on DC/AC24V.