

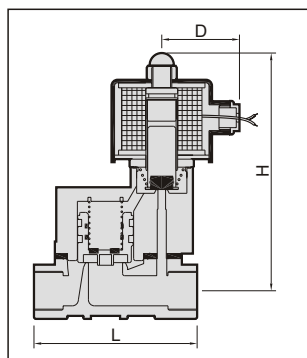
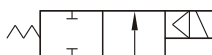
MUPS series Normally closed



SOLENOID VALVE

2-WAY normally closed / normally open solenoid valve.

Available fluid: Water, air, steam & light oil.



Specification :

- MUPS series is multiplex-drive, piston guide, conductive normal close.
- Other voltage of AC/DC available when required.
- The standard product fluid temperature is 185°C (PTFE).
- Applicable for working in high frequency movement location.
- AC Voltage tolerance: $\pm 10\%$
DC Voltage tolerance: $\pm 1\%$.

Material:

Parts name	Material
Body	Forge brass
Coil	Special copper wire (H)
Piston	Bronze
Tube	Stainless steel
Spring	Stainless steel
Core	Stainless steel
Plug	PTFE
Bonne/Nut	PTFE

Order example:

MUPS - 15 - □ - T - AC110 - BSP

MODEL

PIPE SIZE

15 : 1/2"
20 : 3/4"
25 : 1"

VOLTAGE

AC220V(50/60)Hz
AC110V(50/60)Hz
DC24V

PORT THREAD

Blank: PT thread
BSP: BSP thread
NPT: NPT thread

FLUID

□ : Water, Air
LO : Light oil (Note, if diesel fuel or gasoline.)
T : Steam

COIL

□ : Special copper wire
D : DIN

Caution:

- Pipes must be washed neat and clean before fitted.
- A Y-STRAINER has to be installed in the front of solenoid valve, that is best for long life.

Not for fluid of:

- Liquid when heat, solid when cool.
- Corrosive fluid.
- Viscosity over 20 cst.
- Temperature over 185°C.

Model	DIN	Pipe size	Cv	Orifice (mm)	Fluid temp	Max. operating pressure diff. kgf/cm ²				Dimensions(mm)			Weight (kg)
						Water	Air	Steam	Light oil	L	H	D	
MUPS-15	●	PT 1/2"	4	17	-5~+185°C	0.5~10	0.5~10	0.5~10	0.5~10	82	120	48	1.4
MUPS-20	●	PT 3/4"	6	17	-5~+185°C	0.5~10	0.5~10	0.5~10	0.5~10	82	120	48	1.5
MUPS-25	●	PT 1"	12	22	-5~+185°C	0.5~10	0.5~10	0.5~10	0.5~10	100	134	48	1.8

※ The pressure ratings indicated above are based on AC110V/220V. The maximum pressure may vary in case on DC/AC24V.