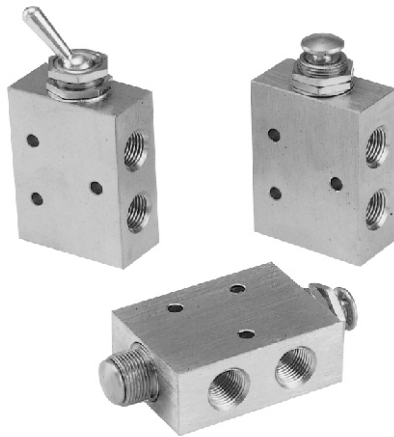


MVHA-41* series

HAND VALVE

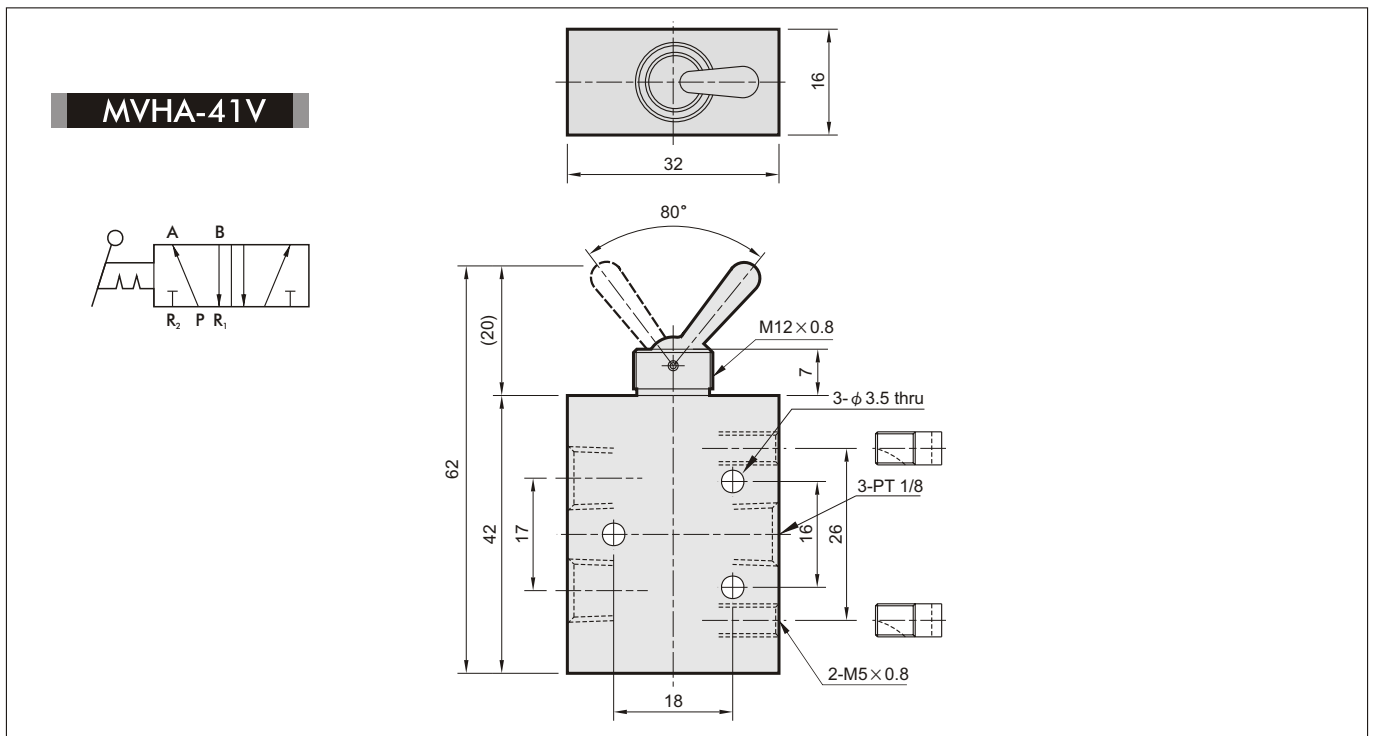
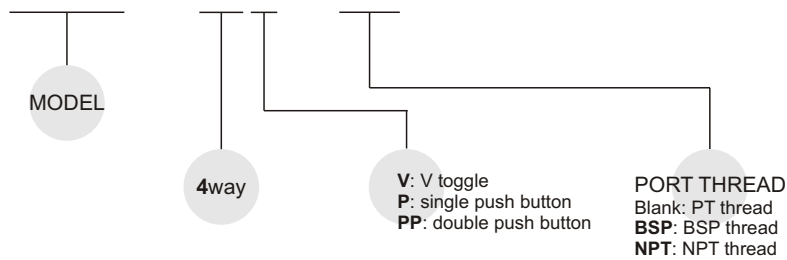


Specification:

Model	MVHA-41V	MVHA-41P	MVHA-41PP
Bore No.	6A		
Port size	PT 1/8		
No. of port	5		
No. of position	2		
Medium	Air		
Operating pressure range	0~9 kgf/cm ²		
Effective orifice	5.5 mm ²		
Ambient temperature	-5~+60°C (No freezing)		
Weight	159 g	158 g	166 g

Order example:

MVHA - 41V - BSP

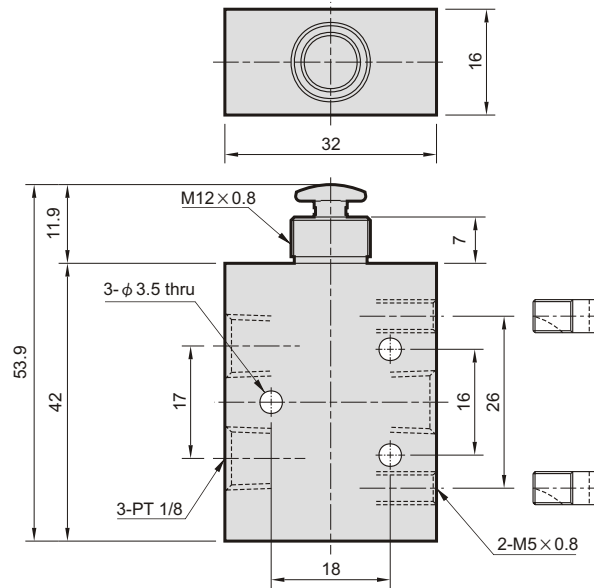
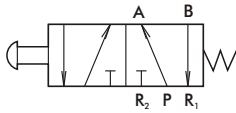


MVHA-41*

HAND VALVE



MVHA-41P



MVHA-41PP

