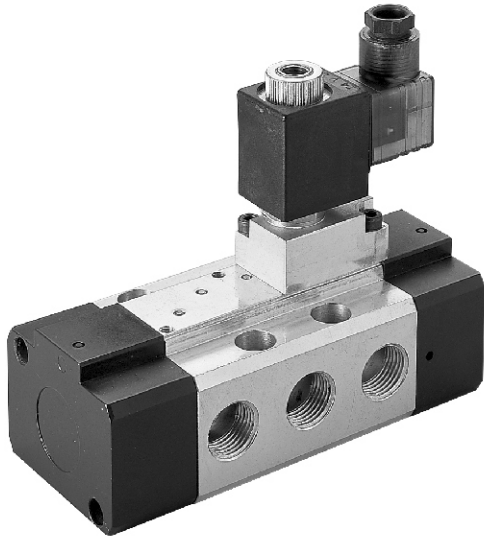


MVSE-510 series

SOLENOID VALVE



Specification:

| Model | MVSE-510-4E1 | MVSE-510-4E2 |
|--------------------------|---------------------------------|--------------|
| Bore No. | 15A | |
| Port size | PT 1/2 | |
| No. of port | 5 | |
| No. of position | 2 | |
| Medium | Air | |
| Operating pressure range | 2~7 kgf/cm ² | |
| Proof pressure | 10 kgf/cm ² | |
| Effective orifice | 65 mm ² | |
| Response time | 60 ms | |
| Ambient temperature | - 5~ + 50°C (No freezing) | |
| Voltage | AC110V, AC220V (50/60)Hz, DC24V | |
| Power consumption | AC=13/11VA, DC=10W | |
| Available voltage range | ± 10% | |
| Insulation class | H class | |
| Weight | 1523 g | 1808 g |

Order example of valve:

MVSE — 510 — 4E2 — AC110 — L — BSP

MODEL

BODY WIDTH

VOLTAGE

AC220V(50/60)Hz
AC110V(50/60)Hz
DC24V

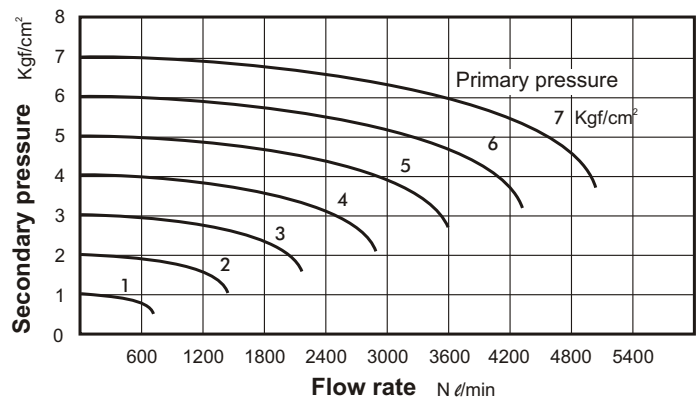
Blank: DIN connector
L: LED indicator

PORT THREAD
Blank: PT thread
BSP: BSP thread
NPT: NPT thread

4: 4way

E1: Single Solenoid
E2: Double Solenoid

Flow features:



MVSE-510

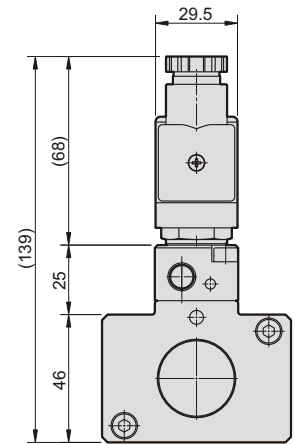
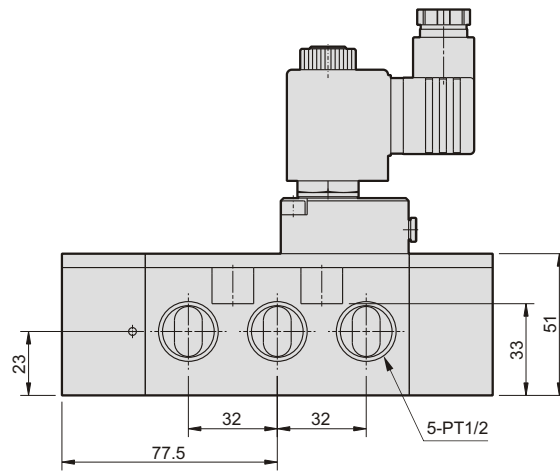
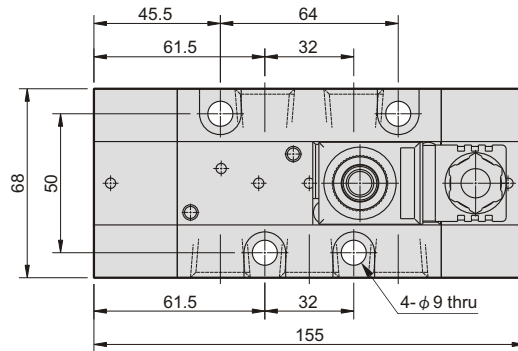
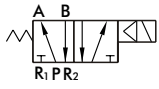
SOLENOID VALVE



Mindman

Dimensions:

MVSE-510-4E1



MVSE-510-4E2

